

PowControl

In-Line Sampler For Powders



Collect a representative sample directly from the process with safety !

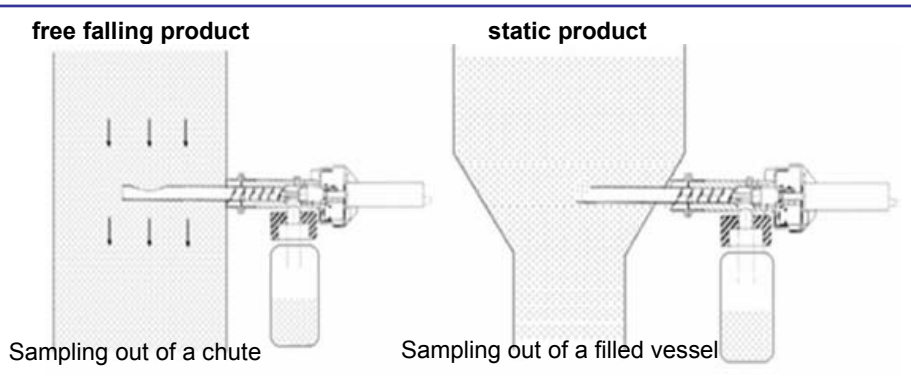
Approved by many multinationals across the world the **PowControl** sampler allows to collect representative samples of a wide range of powders directly within your process and to easily program the sampling cycles and the sampled volumes.

Thanks to the innovative design and the selected materials the **PowControl** sampler conforms to the **safety and hygiene** requirements defined by the EC Directive no. 98/37/CE and ATEX no. 94/9/CE.

It meets the most stringent quality assurance policies of the **pharmaceutical, chemical and food** industries according to the GMP, FDA, BPF, ISO and HACCP recommendations and procedures for good sampling practices.

Application

The **PowControl** automatic process sampler is designed to be permanently installed either on a gravity line or on the wall of a silo or a reactor. It allows continuous, grab or composite sampling of free falling powders in a chute, or bulk powders in a filled vessel, with adjustable sample volumes and maximum safety for both operator and environment. The materials used - stainless steel 316L and PTFE - meet the operational requirements of the pharmaceutical, chemical and food industries.



Principle

Based on the principle of the Archimedes screw, the **PowControl** sampler allows representative samples to be taken directly within the production or packaging process. The stainless steel **pneumatic motor** warrants a safe and flexible operation. The **tilting drive** design - incorporating a safety switch - provides for an easy access and a quick dismantling of the screw for cleaning and maintenance purposes.

Easy Cleaning

The quick release of the motor block enables easy extraction of the screw and perfect cleaning of sampling components.



quick release of the drive unit



quick screw extraction

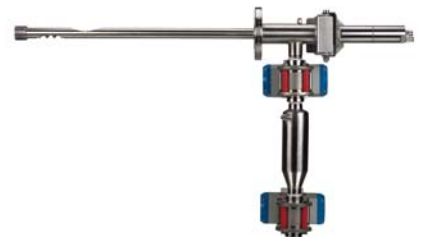
Pharmaceuticals tri-clamp connections



Food flange or threaded connections



Chemicals with isolated safety canister

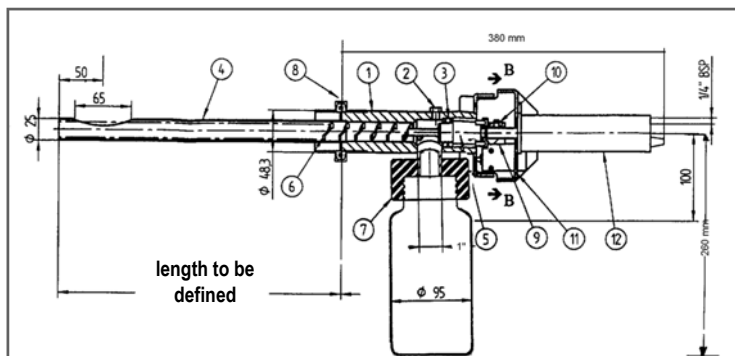


Retractable design compatible with mixing tools



PowControl

In-Line Sampler For Powders



Item	Qty	Description	Material
1	1	Sampler body with 1" outlet tube	S.S 316 L
2	1	Purge connection 1/8"NPT	S.S 316 L
3	1	Bearing	P.T.F.E
4	1	Sampling tube	S.S 316 L
5	1	Rotor	S.S 316 L
6	1	Archimedes screw	S.S 316 L
7	1	Bottle adaptor	PFA
8	1	Clamp union (welding ferule + gasket + clamp)	S.S 316 L
9	1	Shaft coupling	S.S 304 L
10	1	6x8 hexagone socket screw	S.Steel
11	1	Motor frame	S.S 304 L
12	1	Air motor	S.Steel

Specifically designed for your application !

Representative and safe sampling

- ◆ Before each sampling cycle the screw reverses automatically in order to purge the sampling tube.
- ◆ If needed a purge valve blows out the particles left in the sampling tube before sampling thus completing the cleaning.
- ◆ The pneumatic motor enhances the flexibility and allows to freely program the sampling speed and the sampled volume.
- ◆ An air actuated pinch valve (optional) automatically closes the sampling outlet when the sampler is purged or not used - thereby avoiding any risk of product contamination or environmental pollution.
- ◆ The PowControl is available upon enquiry in an ATEX execution (ATEX classification II 2D - zones 21 and 22).

Hygiene

- ◆ The PowControl is based on an Archimedes screw rotating in a PTFE bearing : both can be easily dismantled for cleaning purposes.
- ◆ The tiltable drive design allows to quickly disconnect the drive unit and extract the sampling screw for an easy cleaning of the screw and the sampling tube.

Control system

An electro-pneumatic control cabinet may be supplied upon enquiry, in order to control the sampling and purging cycles according to different operational modes :

- ◆ manual mode
- ◆ sequential mode
- ◆ automatic cycles



Easy to install

The PowControl and the control cabinet are supplied fully assembled and ready to be installed. Including a comprehensive documentation.

Reliability

Sampling tube, screw and connecting flanges in stainless steel 316L, passivated. All welds realised under argon atmosphere. Removable PTFE bearings are accurately machined in order to ensure perfect sealing between the motor and the sampling tube.

All PowControl samplers are fully tested before shipment !

Marketed By :

Ytron-Quadro (U.K.) Ltd
 Unit D—Chiltern Commerce Centre
 43 Asheridge Road
 CHESHAM
 GB – BUCKS HP5 2PY
 Tel +44 (0) 1494 792898
 Fax +44 (0) 1494 792699
www.ytron-quadro.co.uk

A Labocontrolle® Product
 Manufactured by : Jean MAINGUET sarl
 86000 POITIERS - FRANCE
www.labocontrolle.com