

PowerProof

Portable motor driven samplers for powders



Control the quality of your incoming raw materials with accuracy !

Application : This equipment is particularly useful for taking of quality controlled samples of incoming, raw materials, allowing cross-sectional samples to be obtained from normally inaccessible parts. They are designed to comply with the inspection requirements of the pharmaceutical, cosmetic, food and chemical industries, in accordance with BPF, GMP, FDA, HACCP and ISO recommendations and procedures for good sampling practices.



Horizontal sampling in a sachet from paper sacks on a pallet with a 300mm long sampler Ref. S6PH3R



Vertical sampling in a sachet/bottle from drums or big-bags with a 600mm long sampler Ref. S6PV6R

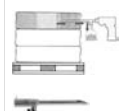


Vertical sampling in a sachet From bulk tanks with a 1500mm long sampler Ref. S6PV15R

Principle :

Based on the principle of the Archimedes' screw, the **PowerProof** probes allow a representative sample to be taken at each stage of penetration of the probe into the material to be collected.

Range : probes are available in various sizes ranging from 300, 600, 900, 1200, 1500 up to 1800mm, for



- Horizontal sampling enabling samples to be taken from paper sacks (300 & 600mm) or



- Vertical sampling for samples to be taken from drums, big-bags and bulk tanks (from 600 to 1800mm).

Driver : a 12V drill motor is specially adapted to drive exclusively the **PowerProof** probes. Air motor optional.

Particules' size : in the standard product range the probes are fitted with a "round" conveying screw allowing **powders of up to 1mm** to be taken. There are 2 other optional types of screw : the "granulate" type for powders up to 3 or 4mm in diameter and the "flat" type for very fine and fluid powders.

Benefits :

PowerProof offers :

- **Representative & reliable sampling :** the probe penetrates to the heart of the product whilst rotating the driver. The samples taken are therefore representative of the different layers crossed by the probe providing a reliable sample.


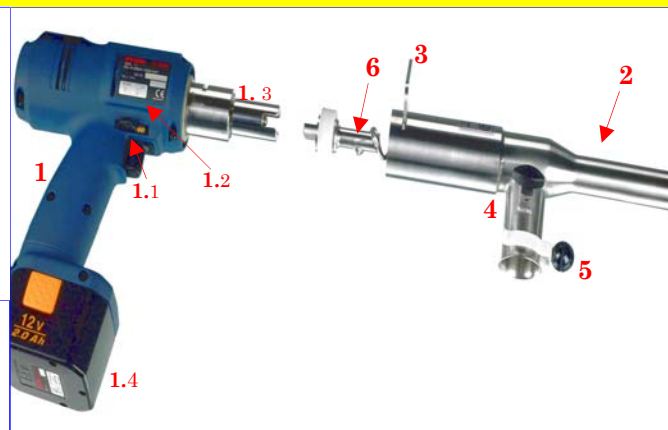
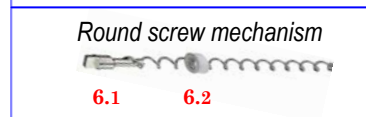
- **Easy cleaning & sanitary security :** due to its patented dismantling system, the boring tube and spiral are made from 100% SS and are easily disconnected from the driver without the use of tools; they can then be totally cleaned with a brush, compressed air, alcohol or sterilised in an autoclave.

- **Easy operation :** Powered by 12V rechargeable batteries this system is completely portable and independent. One drive motor can be used with all probes.

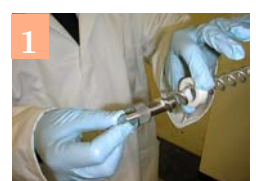
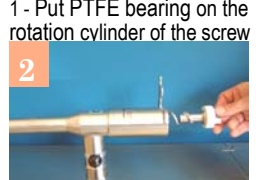
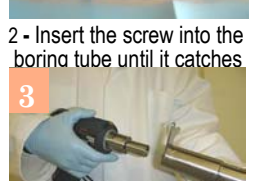
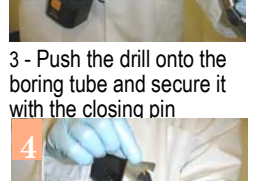
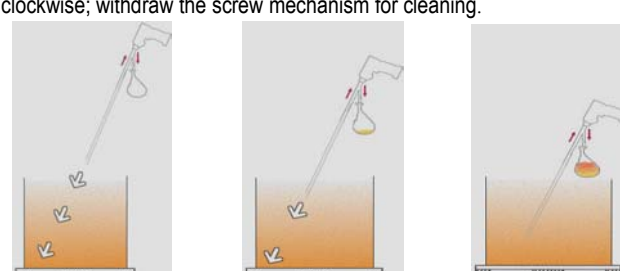
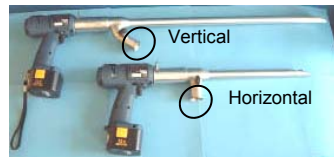

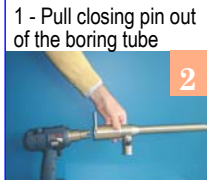
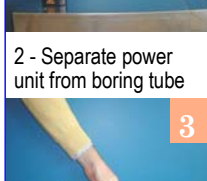
- **Reliability :** passivated finished stainless steel; all welds made under argon atmosphere conditions : their water tightness is controlled with dye penetration tests. Dead space is minimised to avoid contamination.

www.labocontrole.com

Description & Materials

<p>1 12V Drill unit specially adapted to support only PowerProof's probes</p> <p>1.1 Switch for the power</p> <p>1.2 Switch for the direction of rotation: right for sampling & left for purging</p> <p>1.3 Coupling part female</p> <p>1.4 Rechargeable battery 2.Ah</p>  <p>Drill unit with 2 rechargeable batteries 12V & 1 rapid charger 220V or 120V</p>		<p>2 Boring tube SS 304L horizontal configuration</p> <p>3 Closing pin - bayonet connection</p> <p>4 Discharge tube - set here as a right angle for horizontal sampling</p> <p>5 Clip for sampling bag</p> <p>6 Conveying screw SS 302</p> <p>6.1 Rotation cylinder SS 304L male connection</p> <p>6.2 PTFE bearing</p> <p><i>Round screw mechanism</i></p> 
---	--	---

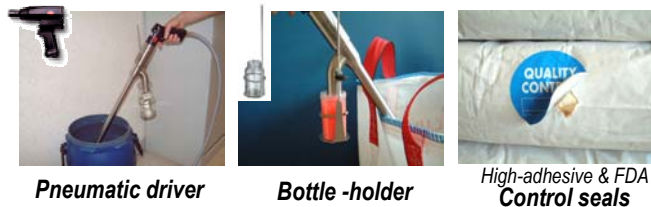
Sampling Operation

<h4>Assembly :</h4>  <p>1 - Put PTFE bearing on the rotation cylinder of the screw</p>  <p>2 - Insert the screw into the boring tube until it catches</p>  <p>3 - Push the drill onto the boring tube and secure it with the closing pin</p>  <p>4 - Pull down the closing pin into the opening intended for it</p>	<h4>Sampling :</h4> <p>To obtain a representative cross-sectional sample :</p> <ul style="list-style-type: none"> • Check the cleanliness of the equipment • Attach your sampling bag with clip or screw the bottle holder lightly onto the discharge tube. • When sampling with paper sacks, make sure that the wall of the sack has been punctured before the device is switched on. Otherwise paper could be in the sample. • Stick the boring tube into the package or bulk material and gently penetrate the probe to the heart of the product whilst rotating the driver clockwise : the rotation of the spiral in the product facilitates the penetration of the probe. • The powder enters the sample bag or the bottle : the sample taken is representative of the different layers crossed by the probe. • After sampling, purge the probe by reversing the direction of rotation anticlockwise; withdraw the screw mechanism for cleaning.  <p><i>Duration of removal : 2 mn maximum per extraction</i> <i>Sampling volume : from 100cc up to 1 litre maximum per extraction</i> <i>Particules' size : 1 mm ED max. with the standard « Round » screw other screw types optional</i></p> <p>Horizontal or Vertical configuration of the boring tube : it is important to know whether samples will be removed vertically or horizontally so that the correct angle arm can be supplied.</p> 	<h4>Cleaning :</h4>  <p>1 - Pull closing pin out of the boring tube</p> <p><i>The quality of the sample depends on the cleanness of the device.</i></p>  <p>2 - Separate power unit from boring tube</p> <p><i>Consequently, cleaning the SS boring tube + screw & PTFE bearing is imperative after each sampling period.</i></p>  <p>3 - Pull out conveying screw from boring tube & remove PTFE ring for cleaning using :</p> <ul style="list-style-type: none"> • A brush • Compressed air • Alcohol • Sterilisation in autoclave
--	--	--

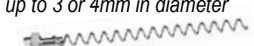
Distributed by :

YTRON-QUADRO (U.K.) Ltd.
 Unit D - Chiltern Commerce Centre
 43 Asheridge Road - BUCKS
 GB—CHESHAM HP5 2PY
 Tel +44 (0) 1494 792898
 Fax +44 (0) 1494 792699
www.ytron-quadro.co.uk

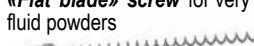
Options & Accessories




«Granulate» screw : for particules up to 3 or 4mm in diameter



«Flat blade» screw for very fine & fluid powders



Cleaning brush



Free testing of your media in our workshop + test report : send 1Kg sample of your product if not hazardous