

Quadro® Comil®

U3 SCALABLE LAB MODEL

LAB SCALE SIZE REDUCTION

U3 INCORPORATES MANY OF THE FEATURES OF THE POPULAR U5 MODEL INCLUDING:

SCALABLE REPEATABILITY

- totally scalable for capacity and granulometry
- consistent results, time-after-time

LOW HEAT, DUST & NOISE

- savings in containment/collection devices
- environmentally friendly
- suitable for sizing heat-sensitive materials

EASY-TO-CLEAN, USER-FRIENDLY DESIGN

- quick tooling change
- spacerless design
- variable speed with rpm display
- low maintenance

OPTIMUM PARTICLE DISTRIBUTION

- tight particle granulometry
- low fines

VERSATILITY

- wide selection of screens and impellers
- positive discharge

PATENTED WORLDWIDE TECHNOLOGY

MEETS OR EXCEEDS REGULATORY STANDARDS INCLUDING:



PLUS

LIGHTER, MORE COMPACT DESIGN

- ideal for smaller lab areas
- more portable

HANDLES SMALLER BATCH SIZES

- can handle batch sizes as small as 100g with *no product retention*
- ideal for Research & Development work and small-scale size reduction needs

IMPROVED CLEANABILITY

- standard NEMA 4X (IP55) enclosure
- streamlined design eliminates crevices

VERY LOW NOISE EMISSIONS



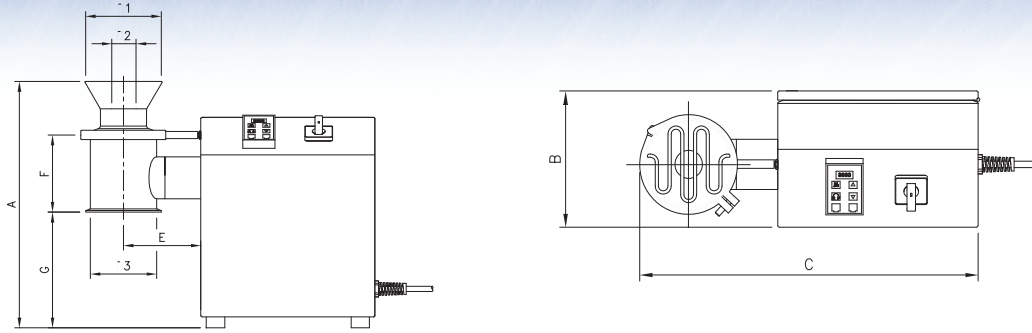
QUADRO
Leading Process Equipment Innovation

www.quadro.com

U3 Quadro® Comil®



QUADRO® COMIL®



OPERATING DIMENSIONS DATA

	A	B	C	D1	D2	D3	E	F	G
inches	17	8	20	5.3	1.6	4*	5.2	5.3	8.1
mm	432	203	508	135	41	102*	132	135	206

*Triclamp outlet 4" pipe schedule 5.

Power	0.33 Hp	.246 kW
Capacity*	min. 3 oz	min. 100 g
Voltage	110V/220V, 1PH, 50/60 Hz	
Standard Impeller Speed	4500 rpm	
Impeller Speed Range	2,200 - 7,200 rpm	
Impeller/Screen Gap	Minimum distance - No adjustment required	

*Capacity based on tests with granular salt with 3mm screen. Contact your local representative or Quadro for product testing.

CONSTRUCTION SCALE UP TO PRODUCTION MODELS TOOLING

	Contact	Non Contact
Material	AISI 316L W.Nr. DIN 1.4435/1.4404	AISI 304 W.Nr. DIN 1.4301/1.4305
Surface Finish	Mirror Ra 0.10 micron	150 grit Ra Ra 1.06 micron
O-rings	FDA compliant	
Seals	FDA compliant	
Net Weight (lbs)	50	
(kg)	23	

Models	U3	U5	U10	U20	U30
Capacity	0.5	1X	2X	10X	20X
Standard Impeller RPM	4500	3500	2400	1400	900

Contact Quadro for details on larger production models up to 120,000 lb/hr (54,500 kg/hr).

	Polish	Type/Size
Impellers	150 Grit (Ra 1.06 micron) Mirror optional	Round/Square Arms
Screens	150 Grit (Ra 1.06 micron) 220 Grit, EP Optional	Round Hole Diameter 0.009"-0.250" (0.2 mm - 6.3 mm) Grater Hole Diameter 0.040"-0.250" (1 mm - 6.3 mm) Square Hole Diameter 0.156"-0.250" (4 mm - 6.3 mm)

LOCAL REPRESENTATIVE



QUADRO

Leading Process Equipment Innovation

Quadro Engineering Corp.
613 Colby Drive
Waterloo, ON, CA N2V 1A1
T 519-884-9660
F 519-884-0253
sales@quadro.com
www.quadro.com

Quadro (US) Inc.
55 Bleeker Street
Millburn, NJ, USA 07041-1414
T 973-376-1266
F 973-376-3363
sales@quadro.com
www.quadro.com