

# Laboratory disperser

# SUPERTEST

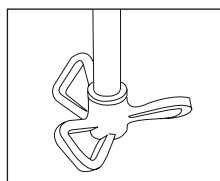
- **High performance motor**  
Available power **750 W**  
Variable mixing speed from **250 to 3600 rpm**
- Elaborate ergonomics for **easy use**.
- **Patented** beaker clamping system
- Container volume from **200 ml to 20 liters**.  
Lifting stroke: **300 mm**.
- **Versatility of applications with different agitator tools** (low speed mixing), **Rotor/Stator emulsifiers** (high speed dispersion) and **ball mill**.
- **Safety conformity with EC standards**  
Operation prohibited if the agitator is in high position and/or without beaker present.



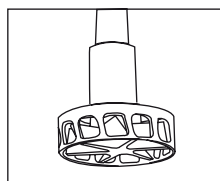
Patented beaker clamping system



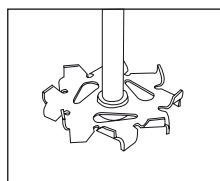
Temperature probe



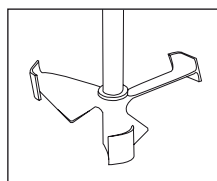
Butterfly blade



Rotor/Stator emulsifier



Deflocculator



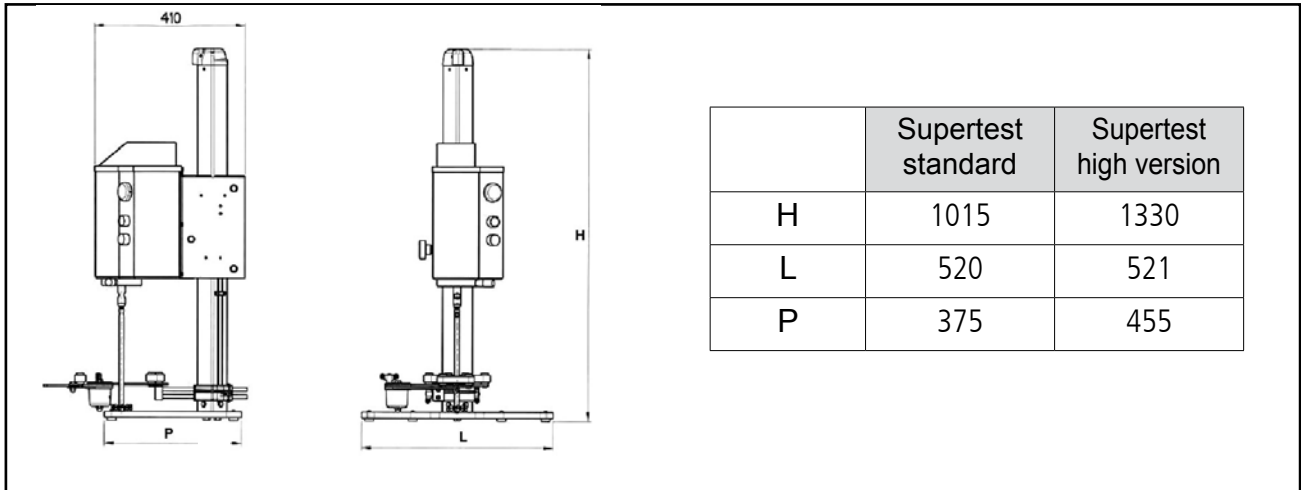
Bi-directional tri-blade



Ball mill

## General Characteristics

- Stainless steel frame
- Balanced motor lifting
- Safety beaker holder with memory adjustment of the diameter allowing easy interchanging of containers
- 316 L stainless steel shaft, with male cone, length 310 mm
- Control box including all motor protections and safety management, speed variation device and motor supply
- User interface, with ON/OFF buttons and speed potentiometer



## Characteristics

- 750 W dc motor
- Variable speed from 250 to 3600 rpm
- Lifting stroke: 300 mm
- Volume: from 200 ml to 20 litres
- Beaker diameter: from 50 to 300 mm
- Beaker height: from 100 to 300 mm
- Weight: 35 kg
- Sound level: 68 dBA (PR EN 31201)

## Power

- Electrical power: 750 W - 220 V - 50 Hz
- Mono-phase + Ground (delivered with 10/16A plug, 2P + E)

## Safeties/Interlocks

- Operation prohibited if the agitator is on high position
- Operation prohibited if running without beaker

## Conformity

- 2006/42/EC directive
- Labor code

From the laboratory trials to the production phase, VMI Rayneri responds to customer requirements with a large range of high performance mixing and agitation tools.

## Tools/ Accessories

- Centrifugal-deflocculator (Ø 65-80)
- Centripetal (Ø 30-45-55-65-80)
- Centrifugal (Ø 55-80)
- Cutting (Ø 55-65-80)
- Deflocculator (Ø 35-55-65-80-100)
- Separator/ cutter (Ø 65-80)
- Collapsible (Ø 80)
- Marine impeller (Ø 65-80)
- Mixer (Ø 55)
- Agitator (Ø 115)
- Butterfly (Ø 80)

- Planetary (Ø 80)
- Quadri-blade versions PSVB, PSVH and PA (Ø 55-80-100-110)
- Mixer/grater (Ø 65-80-100)
- Profiled tri-blade (Ø 80-120-160)
- Bi-directional profiled tri-blade (Ø 80-120-160)

## Additional accessories

- Emulsifier homogenising type Rotor/Stator (Ø 25-45-55-70)
- Digital temperature probe
- Adaptor for female cone shaft, length 260 mm
- Ball mill
- Speed indicator / timer