

SUPERTEST

Laboratory disperser



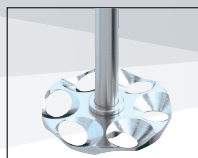
- **High performance motor**
Available power **550 W or 750 W**
ATEX II 2 G compliant
2 versions:
 - variable mixing speed from **120 to 1500 rpm (550 W)**
 - variable mixing speed from **250 to 3000 rpm (750 W)**
- Container volume from **200 ml to 20 liters**.
Lifting stroke: **300 mm (500 mm for high version)**
- **Versatility of applications with different agitator tools** (low speed mixing), **Rotor/Stator emulsifiers** (high speed dispersion)
- **Safety conformity with EC standards**
Operation prohibited if the agitator is in high position and/or without beaker present.
- **Easy positioning of mixing head with counterweight**



Butterfly blade



Rotor/Stator emulsifier



Cutter / gratter



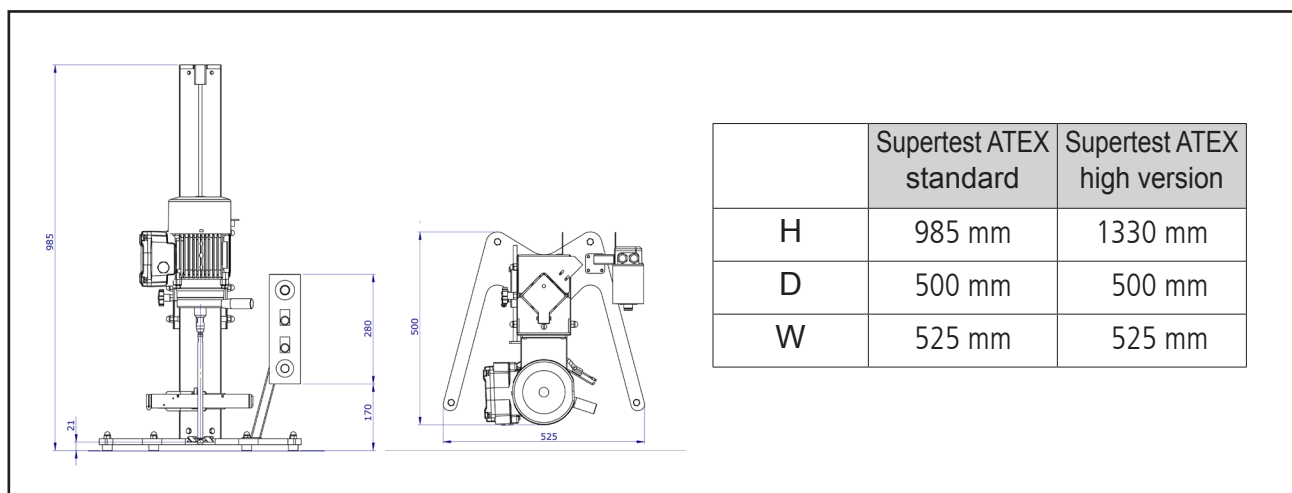
Bi-directional tri-blade



Deflocculator

General Characteristics

- Stainless steel frame
- Balanced motor lifting
- Grounding strap for beaker
- 316 L stainless steel shaft, with male cone, length 310 mm (high version: 410 mm)
- Optional remote mounting of electrical panel including all motor protections and safety management, speed variation inverter and motor supply
- Local ATEX user interface, with ON/OFF emergency stop buttons and speed potentiometer



Characteristics

- 750 W or 550 W motor
- Beaker diameter: from 50 to 300 mm
- Beaker height: from 100 to 300 mm
- Weight: 50 kg
- Sound level: 68 dBA (PR EN 31201)

Power

- Electrical power: 750 W - 400 V - 50 Hz
- Three-phase + Ground

Safeties/Interlocks

- Operation prohibited if the agitator is on high position
- Operation prohibited if running without beaker

Conformity

- 2006/42/EC directive
- 94/9/CE directive

From the laboratory trials to the production phase, VMI responds to customer requirements with a large range of high performance mixing and agitation tools.

Tools/ Accessories

- Centrifugal-deflocculator (Ø 65-80)
- Centripetal (Ø 30-45-55-65-80)
- Centrifugal (Ø 55-80)
- Cutting (Ø 55-65-80)
- Deflocculator (Ø 35-55-65-80-100)
- Separator/ cutter (Ø 65-80)
- Collapsible (Ø 80)
- Marine impeller (Ø 65-80)
- Mixer (Ø 55)
- Agitator (Ø 115)
- Butterfly (Ø 80)
- Planetary (Ø 80)
- Quadri-blade versions PSVB, PSVH and PA (Ø 55-80-100-110)
- Mixer/grater (Ø 65-80-100)
- Profiled tri-blade (Ø 80-120-160)
- Bi-directional profiled tri-blade (Ø 80-120-160)

Additional accessories

- Emulsifier homogenising type Rotor/Stator (Ø 25-45-55-70)
- Shaft protective tube
- Local speed display

